



**Beverage Dispensing System  
Hot Beverage Dispenser for soluble  
powder, 2 containers, black with UK plug**

ITEM # \_\_\_\_\_

MODEL # \_\_\_\_\_

NAME # \_\_\_\_\_

SIS # \_\_\_\_\_

AIA # \_\_\_\_\_



560052 (GH2UK)

\* NOT TRANSLATED \*

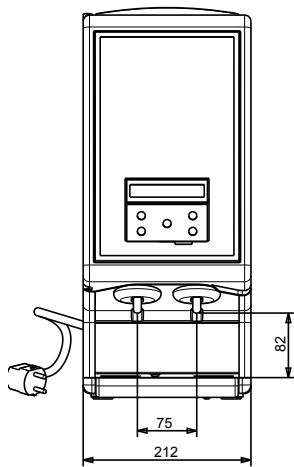
### Main Features

- Hot beverage dispenser for powder based drinks.
- Front panel LED backlighting.
- Completely removable powder containers.
- Sliding panel for easy filling of the water tank.
- While the machine works, display indicates:
  - dispensing phase
  - water level too low;
  - flavour being delivered;
  - cleaning required;
  - heating stage;
  - expired cred
- Mechanical and programmable control board.
- Multilanguage menu.
- Chip card on request.

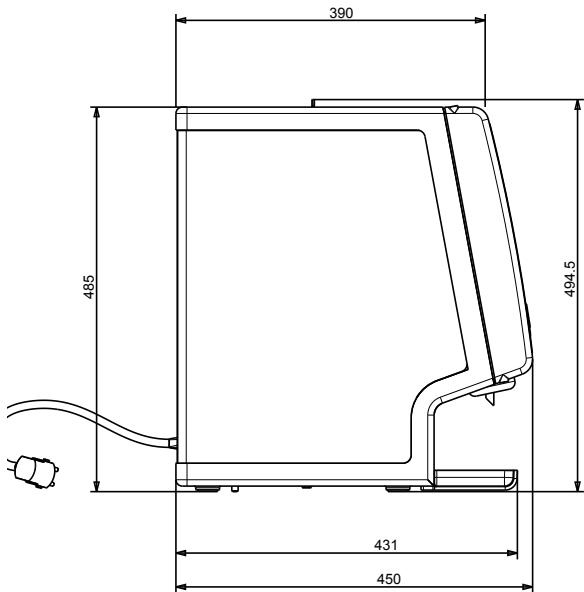
APPROVAL: \_\_\_\_\_



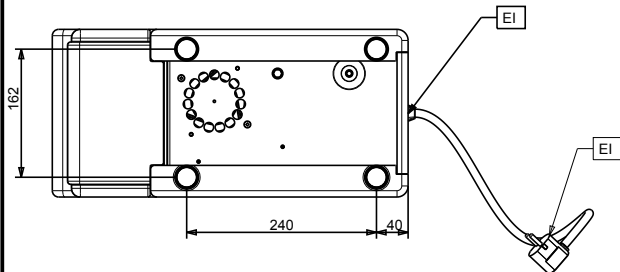
Front



Side



Top



**Electric**

Supply voltage: 220-240 V/1 ph/50 Hz  
Electrical power max.: 1.25 kW

**Key Information:**

Net weight: 15 kg  
Shipping weight: 18 kg  
Shipping height: 630 mm  
Shipping width: 500 mm  
Shipping depth: 600 mm  
Shipping volume: 0.19 m<sup>3</sup>